

PRODUCT INFORMATION PACKET



Model No: C145T17DC48A

Catalog No: 122080.00

..2..1800.145JMV.OPEN.230/460V.3.60/50HZ.CONT.40C..C-FACE.....
JM



Regal and Leeson are trademarks of Regal Beloit Corporation or one of its affiliated companies.

©2018 Regal Beloit Corporation, All Rights Reserved. MC017097E





Nameplate Specifications

Output HP	2 Hp	Output KW	1.5 kW
Frequency	60 Hz	Voltage	230/460 V
Current	6.0/3.0 A	Speed	1750 rpm
Service Factor	1.15	Phase	3
Efficiency	86.5 %	Duty	Continuous
Insulation Class	F	Design Code	B
KVA Code	N	Frame	145JMV
Enclosure	Drip Proof	Overload Protector	No
Ambient Temperature	40 °C	Drive End Bearing Size	6206
Opp Drive End Bearing Size	6203	UL	Recognized
CSA	Y	CE	Y
IP Code	22		

Technical Specifications

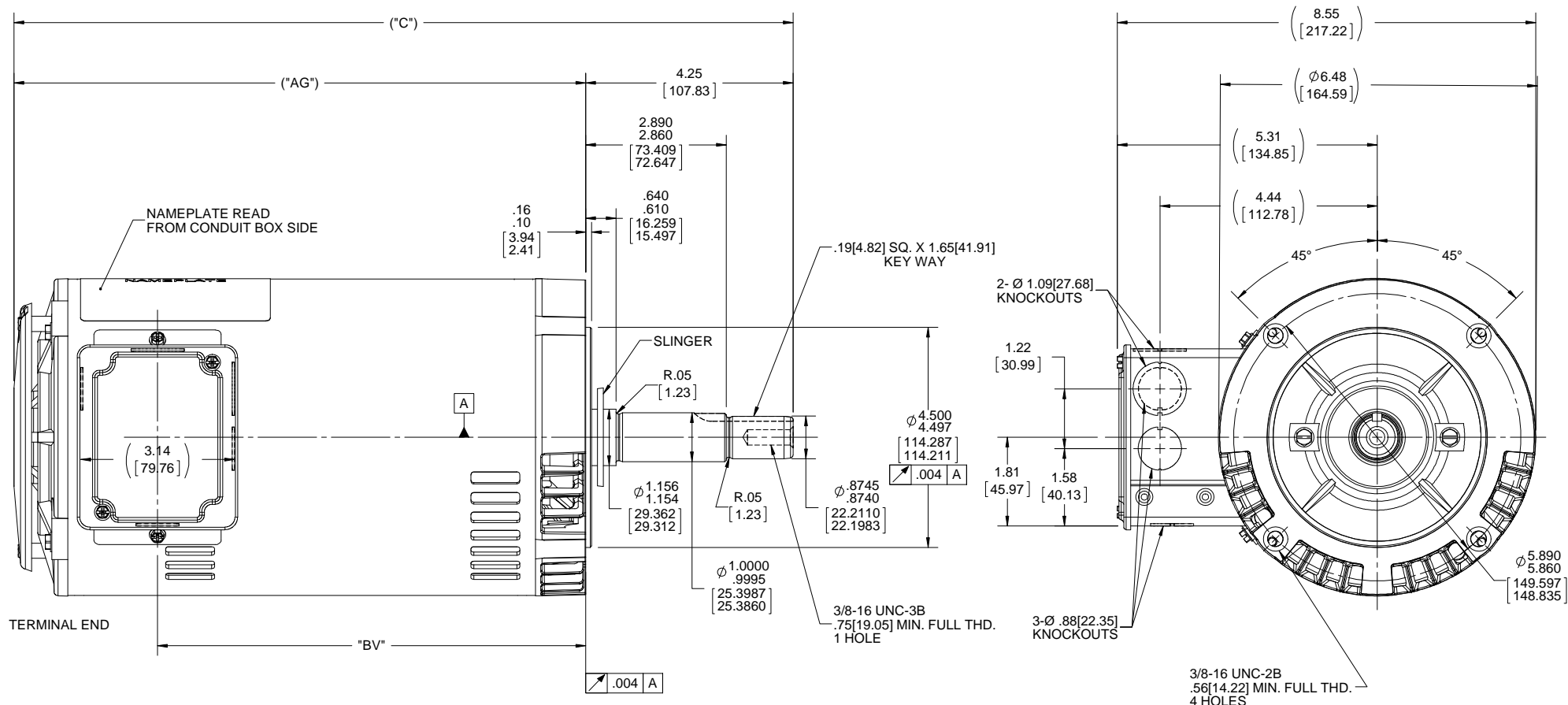
Electrical Type	Squirrel Cage Inverter Rated	Starting Method	Line Or Inverter
Poles	4	Rotation	Reversible
Mounting	Round	Motor Orientation	HORIZONTAL OR SHAFT DOWN
Drive End Bearing	BALL	Opp Drive End Bearing	BALL
Frame Material	Rolled Steel	Shaft Type	JM
Overall Length	15.92 in	Frame Length	9.56 in
Shaft Diameter	0.875 in	Shaft Extension	4.21 in
Assembly/Box Mounting	F1 ONLY		
Outline Drawing	A-108673-956	Connection Diagram	A-EE7308-REGAL

B

B

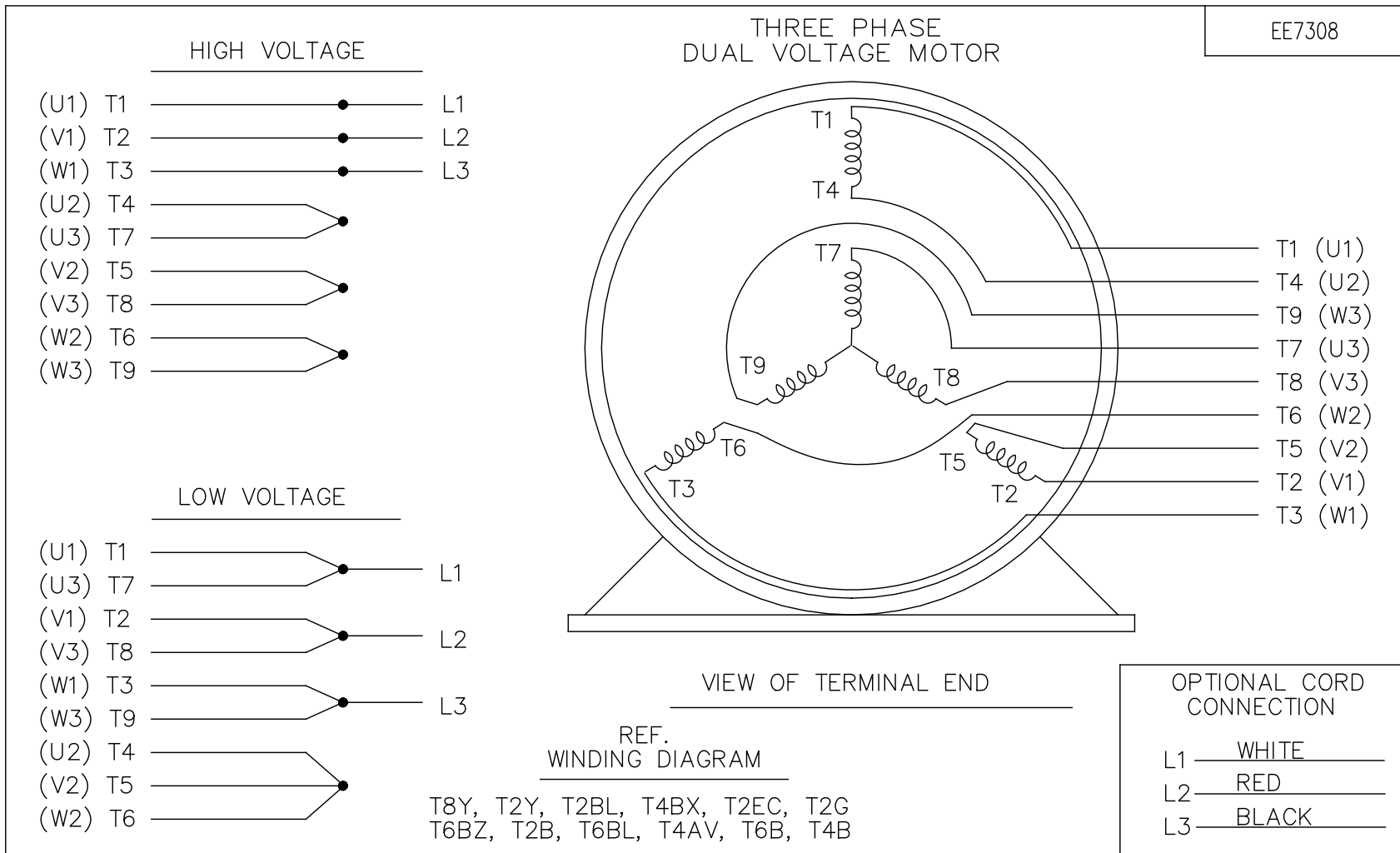
A

A



NOTE:
CONDUIT BOX CAN BE ROTATED IN 180° STEPS.

DRAWING REVISION A		REVISION BY	DATE	TOLERANCES UNLESS OTHERWISE SPECIFIED:			DRAWN BY A. KEETHA	Regal Beloit America, Inc.	
ECO ECO-0136108	APPROVED BY	DATE	DEC.	INCH	mm	ANGLE	DATE 03/05/2018		
ECO DESCRIPTION OUTLINE CONVERSION PROJECT			X	+0.1	[+2.5]	$\pm 7-30^\circ$	APPROVED BY PST	DESCRIPTION OUTLINE	
<small>COPYRIGHT REGAL BELOIT AMERICA, INC. ALL RIGHTS RESERVED. PROPRIETARY AND CONFIDENTIAL INFORMATION - THIS DOCUMENT IS THE PROPERTY OF REGAL BELOIT AMERICA, INC. ("OWNER") AND CONTAINS OWNER'S PROPRIETARY INFORMATION. ANY PERSON, CORPORATION OR OTHER FIRM RECEIVING IT IS DEEMED, BY RECEIVING IT, TO AGREE THAT IT, AND/OR ANY PART OF IT, SHALL NOT BE DISCLOSED TO ANY PERSON, CORPORATION OR OTHER ENTITY, DUPLICATED, AND/OR USED, EXCEPT AS EXPRESSLY APPROVED IN WRITING IN ADVANCE BY OWNER. THIS DOCUMENT SHALL BE RETURNED TO OWNER UPON REQUEST. IT MAY BE SUBJECT TO CERTAIN RESTRICTIONS UNDER APPLICABLE EXPORT CONTROL LAWS AND REGULATIONS.</small>			.XX	+0.03	[+0.76]		DATE 05/18/2018	140T FRAME-BB-DR.PR- C'FACE-3Ø-JM. EXT.	
DASH NO.	"C"	"AG"	.XXX	+0.005	[+0.127]		REFERENCE 100186	MATERIAL	PROCESS/FINISH
956	15.93[404.62]	11.69[296.92]	.XXXX	+0.0005	[+0.0127]		THIRD ANGLE PROJECTION	MATERIAL	
				MACHINED SURFACES: 200 $\sqrt{5.1}$ INCH / mm			SIZE B	DRAWING NUMBER 108673	SHEET 1 OF 1



NO.	REVISION	BY & DATE	CHK	ANG	TOLERANCES UNLESS SPECIFIED		FINISH	DRAWN RM 11/20/1990				
					DEC.	INCHES						
5	CHG TO REGAL LOGO	SL 09/10/2015	AB					CHK ML 11/21/1990				
4	REVISED IEC NOTATIONS	MSG 11/15/2011	CMN	.X	±.1			APPD SAS 04/24/2003				
3	ADDED IEC NOTATIONS... (U1), (V1) ETC. MU95194	MSG 5/10/2010	MJS	.XX	±.02			SCALE 1=1				
2	ADDED THE OPTIONAL CORD CONNECTION MU46318	RDH 04/24/2003	DRS	.XXX	±.005		TITLE CONNECTION DIAGRAM 3Ø - DUAL VOLTAGE MOTOR	REF				
1	REDRAWN	RM 11/20/1990		.XXXX	±.0005		MAT'L.	FMF				
					±7'30"			PREV				
THIS DRAWING IN DESIGN AND DETAIL IS OUR PROPERTY AND MUST NOT BE USED EXCEPT IN CONNECTION WITH OUR WORK ALL RIGHTS OF DESIGN AND INVENTION ARE RESERVED THIS IS AN ELECTRONICALLY GENERATED DOCUMENT - DO NOT SCALE THIS PRINT							RFP	CAD FILE ee7308	SIZE A	DRAWING NO. EE7308	PAGE OF 5	REV. 5
							DIST WP					

Date: 1/29/2018

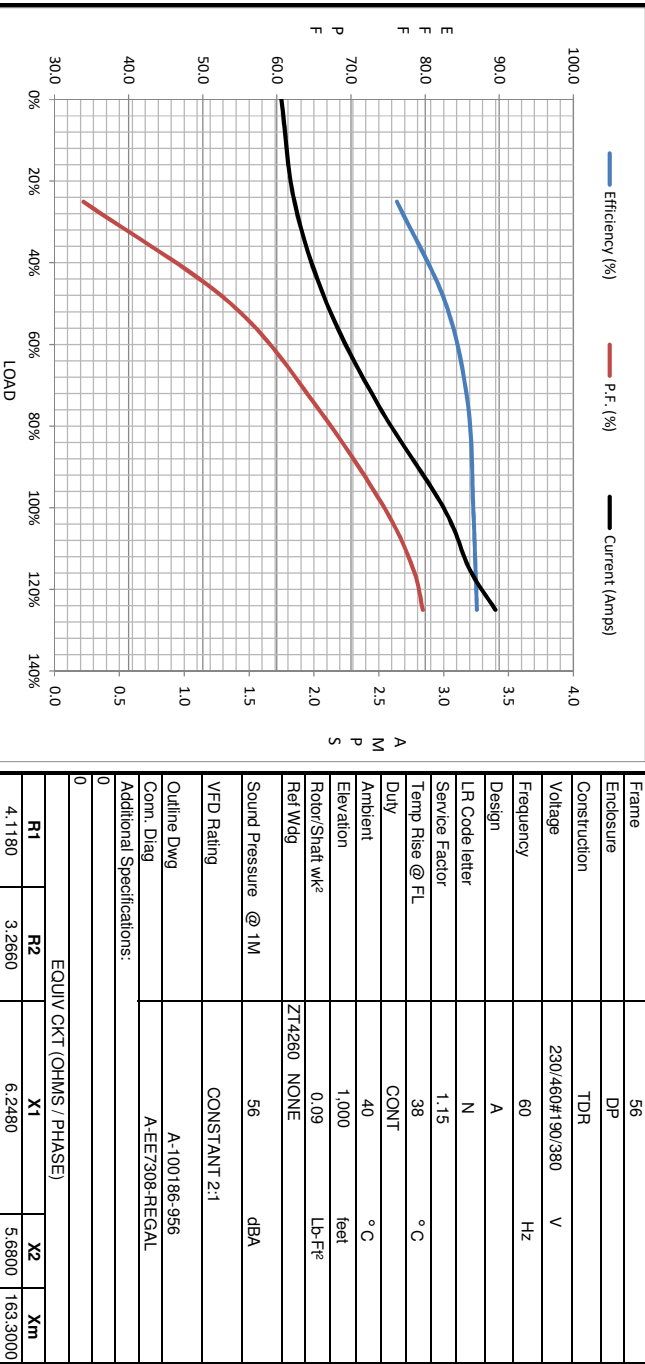
122080.00



Data @ 460 V

		Motor Load Data							
Load		0%	25%	50%	75%	100%	115%	125%	LR
Current (Amps)		1.75	1.85	2.10	2.50	3.0	3.2	3.4	28.4
Torque (ft-lb)		0.00	1.50	2.95	4.5	6.0	7.0	7.6	24.1
RPM		1800	1789	1778	1765	1750	1745	1740	0
Efficiency (%)			76.2	82.8	85.8	86.5	86.8	87.0	
P.F. (%)		7.9	33.9	53.8	65.3	74.5	78.4	79.7	71.5

		Motor Speed Data					Information Block																				
	LR	Pull-Up	BD	Rated	Idle	HP	Sync. RPM	Frame	Enclosure	Construction	Voltage	Frequency	Design	LR Code letter	Service Factor	Temp Rise @ FL	Duty	Ambient	Elevation	Rotor/Shaft wk ²	Ref Wdg	Sound Pressure @ 1M	VFD Rating	Outline Dwg	Conn. Diag	Additional Specifications:	
Speed (RPM)	0	125	1220	1750	1800	2.0	1800	56	DP	TDR	230/460#190/380	60	A	N	1.15	38	CONT	40 °C	1,000 feet	Z14260 NONE		56	CONSTANT 2:1	A-100186-956	A-EE7308-REGAL		
Current (Amps)	28.4	25.5	17.6	3.0	1.75																						
Torque (ft-lb)	24.1	22.0	30.7	6.0	0.00																						



PARAMETER	VALUE	PARAMETER	VALUE
R1	4.1180	R2	3.2660
X1	6.2480	X2	5.6800
Xm	163.3000		
EQUIV CKT (OHMS / PHASE)			
0			
Additional Specifications:			
0			
0			
0			

